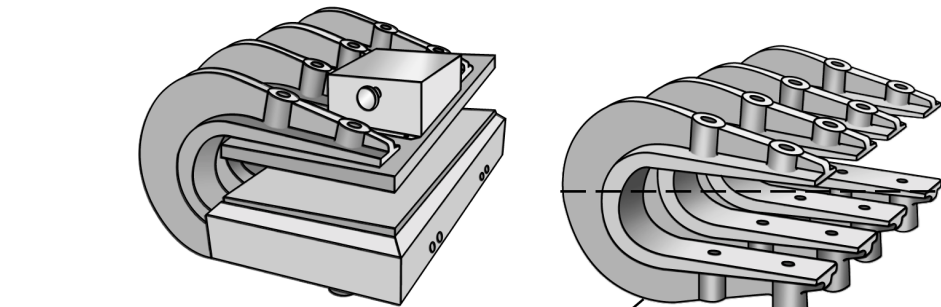


# TIPPMANN CLICKER MODEL 1500

SCHEMATIC 05/09/2007



Control Box sold complete as one replacement part - CB-15

CL-3 Control Box (Housing Only)

To Bladder Air Hook Up

CL-1A C-Castings (4)  
RG-16 Quick Connect

To Bladder Air Hook Up

CB-07 8-32 x 3/16" Set screw

CB-03 1/4 NPT x 1/4" Barb

CB-05 Bulkhead

CB-07 8-32 x 3/16" Set screw

CL7-54 Button

CB-01 Valve

CB-04 1/8 NPT x 1/4" Barb Elbow

CB-06 Hose Clamps (5)

Control Box Insides

CL-60 1/4" I.D. Tubing (2)

CB-02 1/8 NPT x 1/4" Barb (3)

CB-01 Valve

CL7-54 Button

CL-4 Bladder

CLK-33-1 Bladder Tape

CL-2-1A Bottom Plate

CL-60 1/4" I.D. Tubing

CB-06 Hose Clamp

CL-62 1/4" x 1/4" Barb Fitting

CL100-9 1/2-13 X 1" SHCS (8)

SM-100-19 10-32 x 1/4" Button Head Cap Screw (4)

SM 101-15 1/4" Flat Washer (4)

CL-3 Control Box

CL-2-1 Top Plate

CL-15 Nylon Cutting Board

CL-42 Double Sided Tape

CL-5A Center Plate

CL-100-3 5/16-18 x 1/2 Flat Head Socket Cap Screw (8)

CL-32 Foam Spacer (2)

CL-7 Adjusting Bar (2)

CL-102-1 1/2-13 Hex Jam Nut PLT (4)

CL-100-2 1/2-13 x 1 1/2" SHSC (4)

CL-42 1/2" x 1/4" Bushing

CL-16 1/4" Pipe Close Nipple

CL-21 Quick Exhaust 1/4"

CL-12 Exhaust Muffler

CL-100-2 1/2-13 x 1 1/2 SHSC (8)

